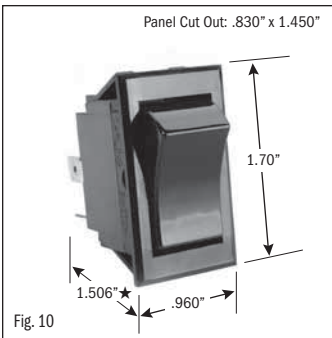
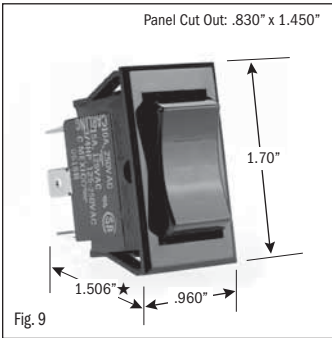
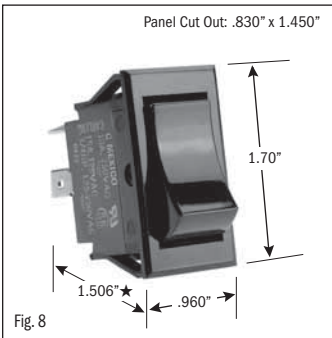


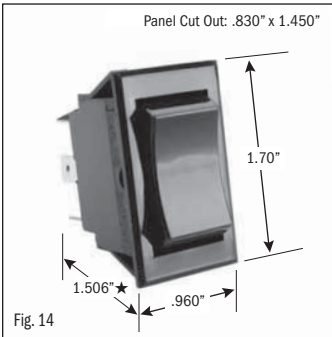
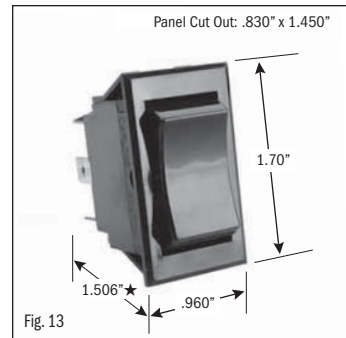
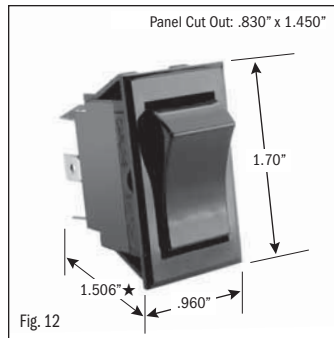
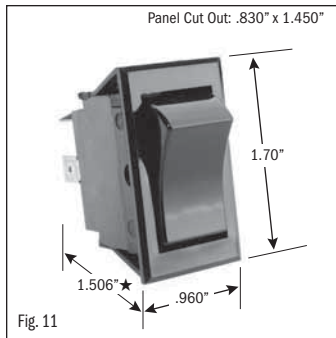
ROCKER SWITCHES • LARGE APPLIANCE



.830" x 1.450" PANEL CUTOUT • .250" Q.C. TERMINATION									
POLES & THROWS	CIRCUIT FUNCTIONS	NOMINAL RATING			FIRST LENS COLOR	SECOND LENS COLOR	LAMP VOLTAGE	CATALOG NUMBER	FIG. NO.
		AMPS	AMPS	H.P.					
		125 VAC	250 VAC	250 VAC					

MOMENTARY CONTACT

SPST	(ON)-OFF	15	10	3/4	-	-	-	SS1107-BG	8
SPDT	(ON)-OFF-(ON)	15	10	3/4	-	-	-	SS1111-BG	9
DPST	(ON)-OFF	15	10	3/4	-	-	-	SS1112-BG	10
DPST	(OFF)-ON	15	10	3/4	-	-	-	SS1113-BG	11
DPDT	(ON)-ON	15	10	3/4	-	-	-	SS1114-BG	12
DPDT	(ON)-OFF-(ON)	15	10	3/4	-	-	-	SS1115-BG	13
DPDT	(ON)-OFF-(ON)	15	10	3/4	-	-	-	SS1116-BG	14



★ Switch height measurement in Figures above, includes body and terminals combined



All specifications and dimensions are for reference only. If specific information is needed and/or of critical nature, contact Selecta Products headquarters for specific information before ordering.